

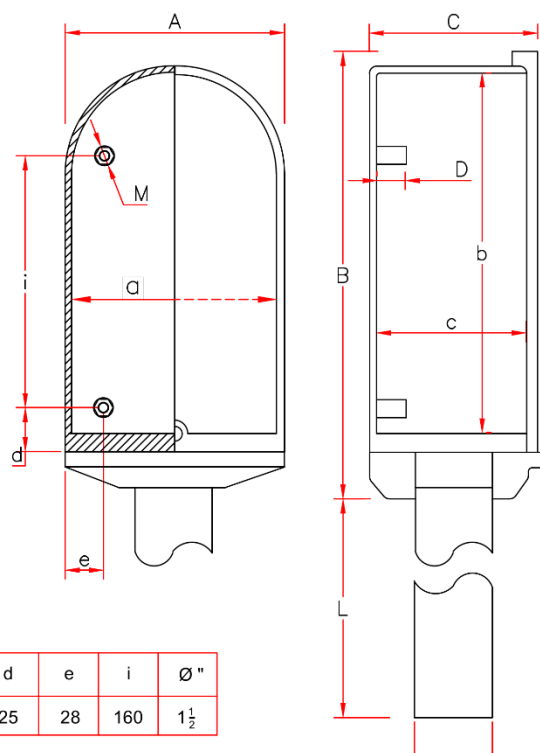
Test points, available in different types, are used for the measurement of:

- electrical potential of buried structures.
- electrical voltage and current measurements.
- galvanic anodes output control.

The standard model consists in an aluminum or fiberglass box with a sliding cover and a tubular metallic support to be fixed on a concrete plinth. The protection degree, according to in force norms is IP44; inside boxes there are insulated terminal boards, which different configurations allow multiple typologies of junctions.

P-8882 - SINGLE TEST POINT

TECHNICAL CHARACTERISTICS OF POLYESTER RESIN FIBERGLASS REINFORCED		
FIBERGLASS CONTENT		25%
RESISTANCE TO TORSION STRESS	ASTM D 638	8000 N/cm ²
RESISTANCE TO BENDING STRESS	ASTM D 790	15000 N/cm ²
RESISTANCE TO IMPACT STRESS	ASTM D 256	800 N/cm ²
RESISTANCE TO COMPRESSION STRESS	ASTM D 695	16000 N/cm ²
HARDNESS	ASTM D 785	60 HRE
RESISTANCE TO ARC STRESS	ASTM D 495	120 ÷ 180 sec
DIELECTRIC STRENGTH	ASTM D 149	18 KV/mm
SELFEXTINGUISHMENT	ASTM D 635	3 + 4 sec



PIECE No.	A	B	C	D	M	L	a	b	c	d	e	i	Ø"
P-8882-002	142	270	99	20	M6	1445	118	238	80	25	28	160	1½

Telemagnetica S.r.l.

Via Teocrito, 36 - 20128 Milano
Tel. 02.255.29.00 - Fax 02.255.30.97

info@telemagnetica.com - www.telemagnetica.com