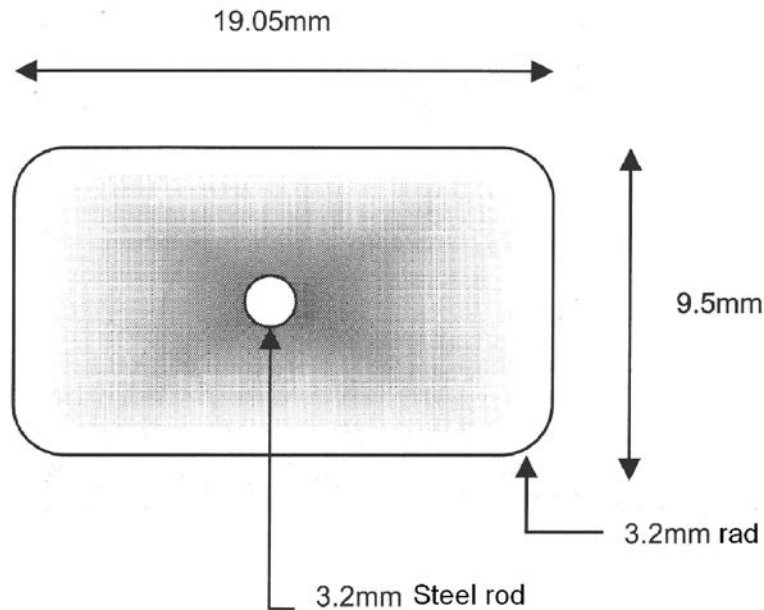


Magnesium ribbon anodes are used for the protection in complex shape structures and during the temporary protection of pipelines laying. Anodes are supplied in ribbons of meters length.



ALLOY: HPM	
CHEMICAL ANALYSIS %	
Al	0.01 max
Mn	0.5 - 1.3
Cu	0.02 max
Ni	0.001 max
Fe	0.03 max
Others	0.05 max
Total Others	0.3 max
Mg	Settlement

Electrochemical characteristics	
Potential	-1,7V Cu/CuSO ₄ Reference Electrode
Capacity	1230 Ah/kg

Roll detail:	
Length	305m + ₈ m
Dimensions	800mm x 460mm x 200mm
Weigth	0.36 kg/m