

Telemagnetica S.r.l.

Via Teocrito, 36 - 20128 Milano
Tel. 02.255.29.00 - Fax 02.255.30.97
info@telemagnetica.com – www.telemagnetica.com

Description

The K324 T T/R unit is a low-ripple, oil cooled cathodic protection transformer/rectifier with output current adjustable in continuity.

The unit consist of a power unit and of a control unit, the first one located inside a bottom container, submerged in oil, the second located at the top and containing the control part.

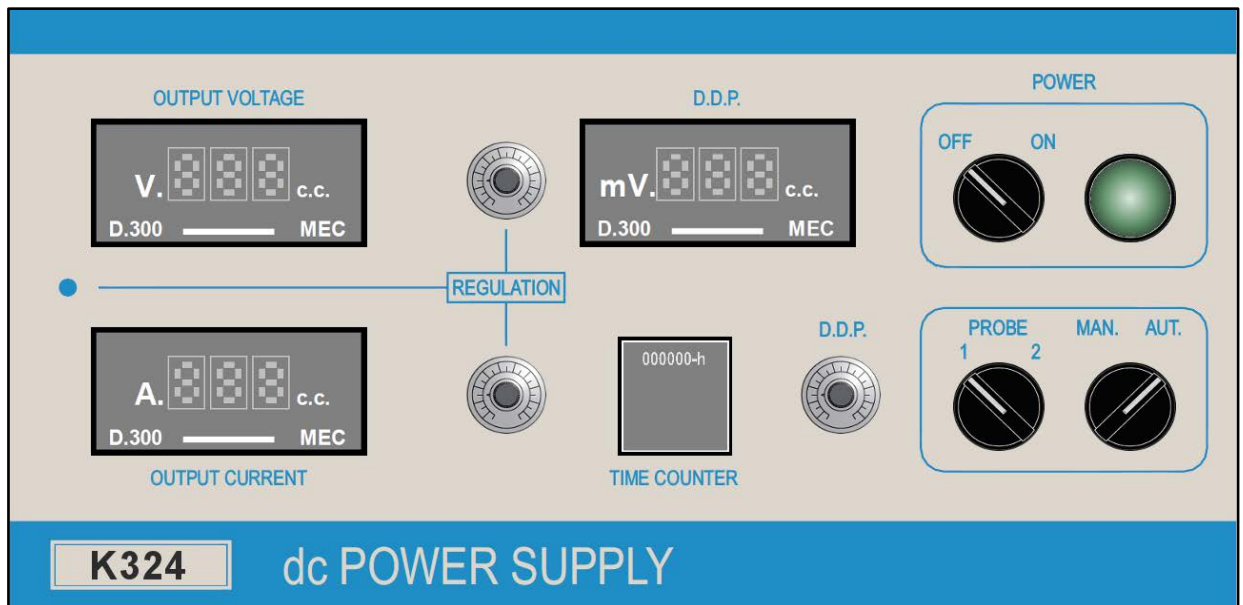
Output voltage and current can be manually regulated via precision multiturns knob or in automatic way via external reference electrode.

Construction technology consist of a 3-Phase oil submerged transformer, connected to a "bridge" circuit containing 6 power SCR, in order to guarantee the requested stability and reliability.

A simple control panel with digital instruments permits a quick identification of the T/R unit operation status.

Sunshade (optional) permits outdoor installation also on harsh environments.

Operation modality



1) MANUAL (constant current) :

While "MAN/AUT" switch is set in "manual" position, it is possible to set the output current by turning the respective multiturns knob (both mounted on the control panel).

In this modality the unit operates in "constant current mode" up to the max output voltage (50 V). Once reached this limit, the unit keeps constant the output voltage and reduces the output current.

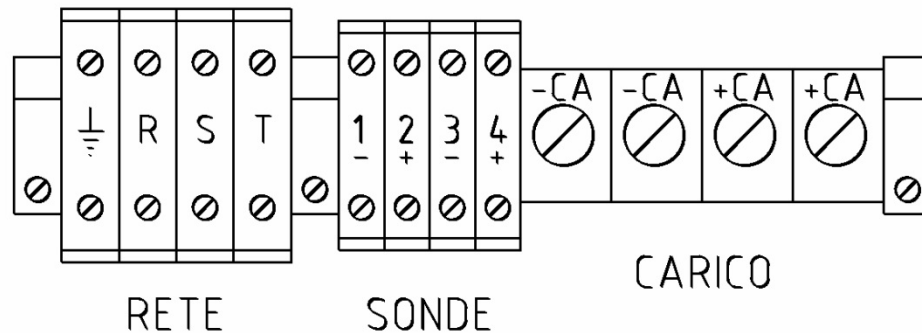
2) AUTOMATIC (a constant potential difference) :

With "MAN/AUT" switch in "automatic" position, the "D.D.P." knob (on the control panel) allows to set the electrode-to-structure potential difference in order to keep it constant.

This operation modality permits to keep constant the potential difference between electrode and structure, modulating the operating parameters.

In AUTOMATIC mode the current regulation knob is deactivated.

Control panel



The control panel is located inside the upper container.

It is provided of ON/OFF switch with signaling light, digital instruments, hour meter and regulation knobs.

Technical Characteristics

ENVIRONMENT

- | | |
|----------------------------|---------------|
| - Temperature | -20 ÷ 50 °C |
| - Relative humidity (Max.) | 80 % |
| - Altitude (Max.) | 1000 m.a.s.l. |

INPUT

- | | |
|------------------------|--------|
| - Nominal Voltage | 400 V~ |
| - Acceptable variation | ± 10 % |
| - Frequency | 50 Hz |
| - Acceptable Variation | ± 5 % |
| - Max Power | 4 kVA |

OUTPUT

- Voltage	0 - 50 V _{DC}
- Static Voltage Stability	± 1 %
- Ripple	1 %
- Current	0 – 50 A _{DC}
- Current stability	± 2 %
- Max Output Power	2,5 kW

PROTECTIONS

- Heatsink temperature probe	90 °C
------------------------------	-------

DIMENSIONS

- Total (L x P x H):	800 x 700 x 1800 mm (*)
- Weight (without oil):	330 Kg
- Weight (with oil):	570 Kg

() note : sunshade dimensions not included*

Telemagnetica S.r.l.

Via Teocrito, 36 - 20128 Milano

Tel. 02.255.29.00 - Fax 02.255.30.97

info@telemagnetica.com – www.telemagnetica.com